

### Features

- Miniature construction
- Low-Noise Output
- 4.5 V to 6 V Operation
- Magnetically Optimized Package
- Linear output for circuit design flexibility
- Temperature range of -40 °C to 85 °C



3 pin SIP (suffix UA)

### Description

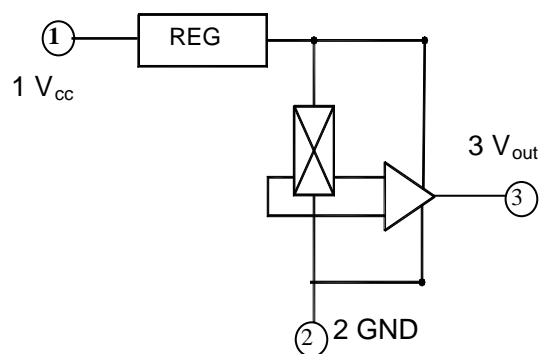
SS49E Linear Hall-effect sensor is small, versatile linear Hall-effect device that is operated by the magnetic field from a permanent magnet or an electromagnet. The linear sourcing output voltage is set by the supply voltage and varies in proportion to the strength of the magnetic field. The integrated circuitry features low

noise output, which makes it unnecessary to use external filtering. It also includes thin film resistors to provide increased temperature stability and accuracy. The linear Hall sensor has an operating temperature range of -40 °C to 85 °C appropriate for commercial, consumer and industrial environments.

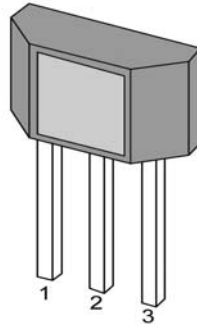
### Typical Applications

- Motor control
- Magnetic code reading
- Ferrous metal detector
- Current sensing
- Position sensing

### Functional Block Diagram



### Pinning



### Pin Description

Name	No	Status	Description
Vdd	1	P	Power Supply
Gnd	2	P	IC Ground
Output	3	O	Output

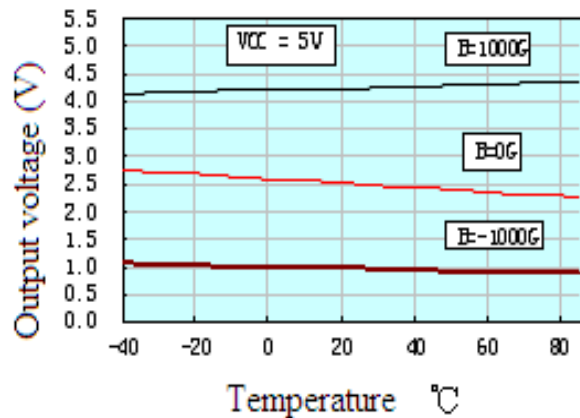
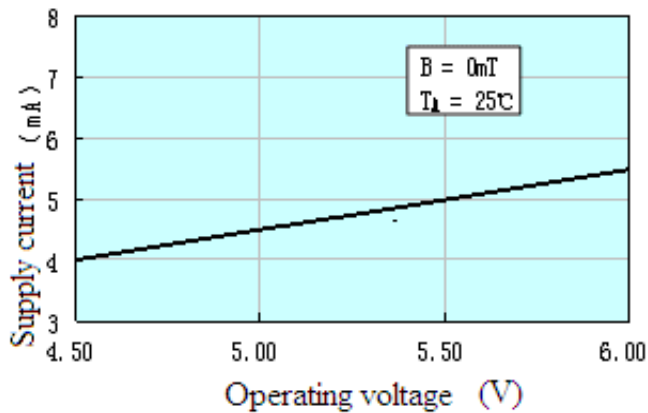
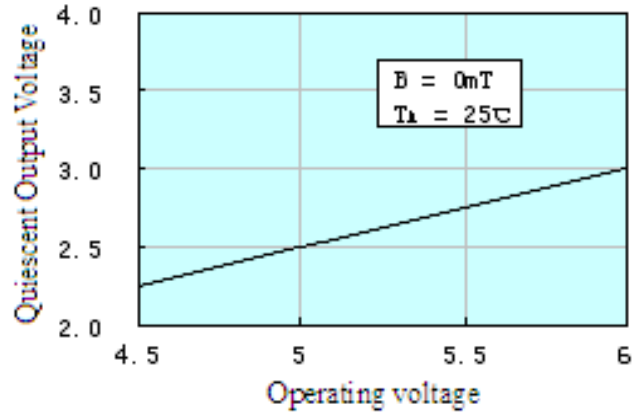
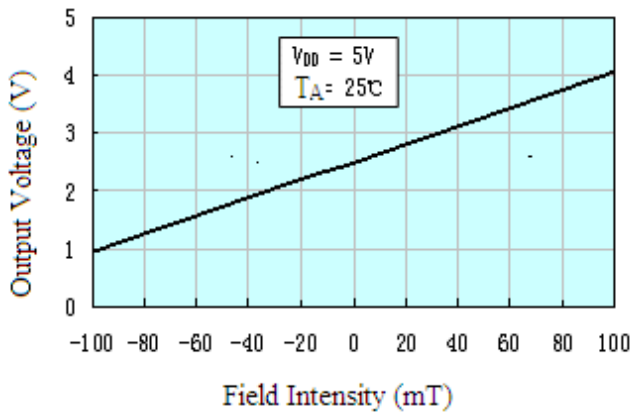
### Absolute Maximum Ratings

Parameter	Symbol	Value	Units
Supply Voltage (operating)	$V_{CC}$	8.0	V
Output Current	$I_{OUT}$	20	mA
Operating Temperature Range	$T_A$	-40~85	°C
Storage Temperature Rang	$T_S$	-65~150	°C

### Electrical Characteristics (TA = 25°C, VCC = 5.0V)

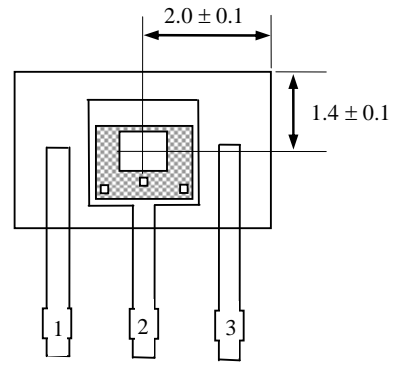
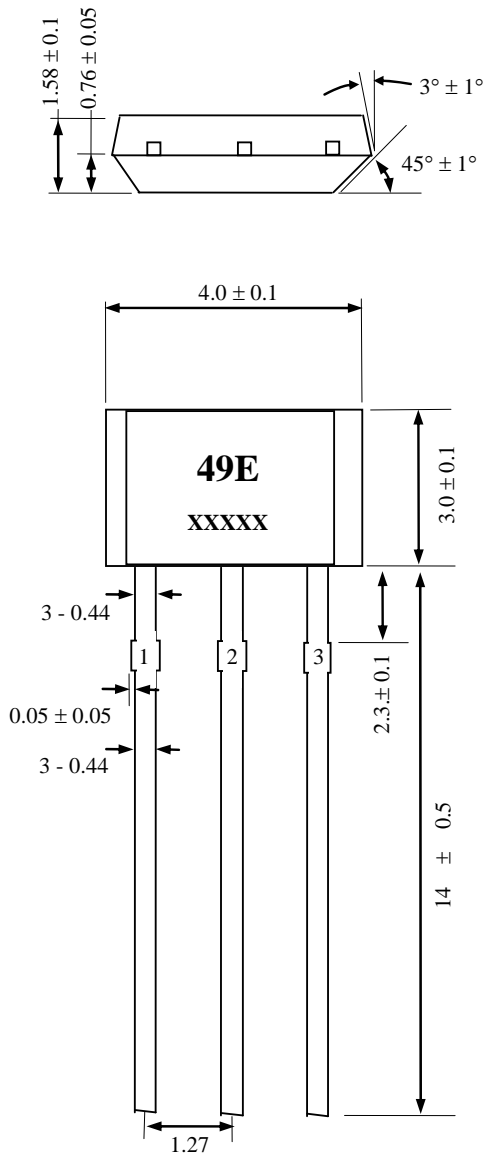
Parameter	Symbol	Test Conditions	Min	Typ	Max	Units
Operating voltage	V <sub>CC</sub>	Operating	3.0		6.5	V
Supply current	I <sub>CC</sub>	Average		4.2	8.0	mA
Output Current	I <sub>OUT</sub>		1.0	1.5		mA
Response Time	T <sub>ack</sub>			3		uS
Quiescent Output Voltage	V <sub>o</sub>	B=0G	2.25	2.5	2.75	V
Sensitivity	ΔV <sub>out</sub>	T <sub>A</sub> =25°C	1.6	1.8	2.0	mV/G
Min Output Voltage		B=-1500G		0.86		V
Max Output Voltage		B=1500G		4.21		V

### Performance Characteristics

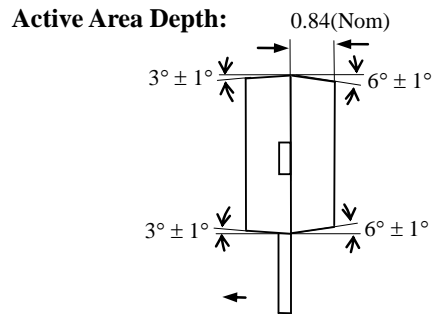


### Package Information

#### Package UA, 3-Pin SIP:



**Hall plate Location**



**Notes:**

- 1). Controlling dimension : mm ;
- 2). Leads must be free of flash and plating voids ;
- 3). Do not bend leads within 1 mm of lead to package interface ;
- 4). PINOUT:      Pin 1    VDD  
                      Pin 2    GND  
                      Pin 3    Output

**Marking:**

49E --- Code of Device;  
 XXXXX -- Production Lot ;

### Ordering Information

Part No.	Pb-free	Temperature Code	Package Code	Packing
SS49E	YES	-40°C to 85°C	TO-92	Bulk, 1000 pieces/bag